



SYSTRONIC CL300

THE FLEXIBLE CLEANING SYSTEM

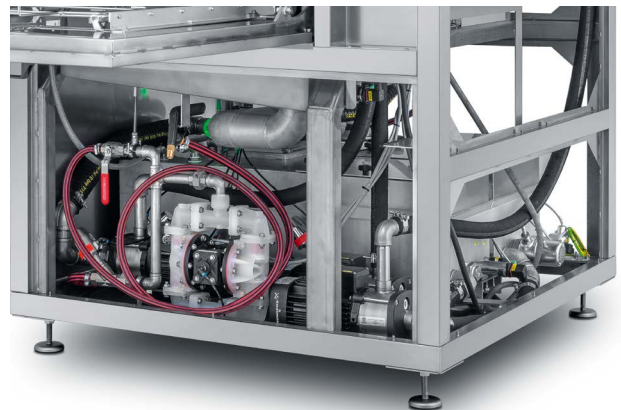
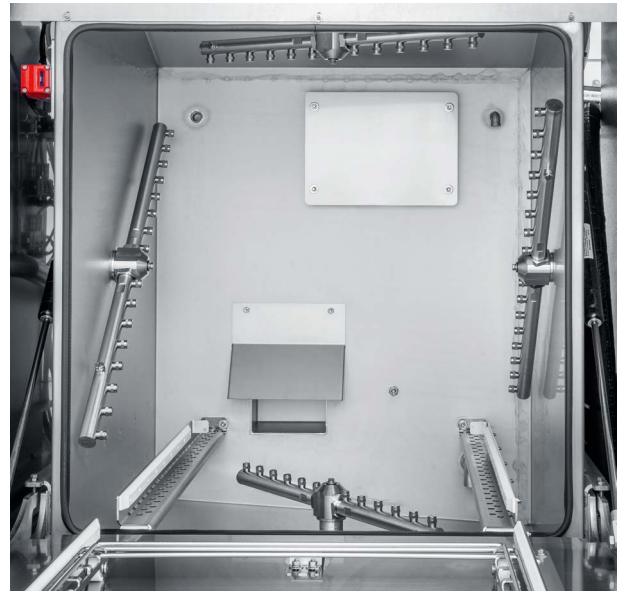
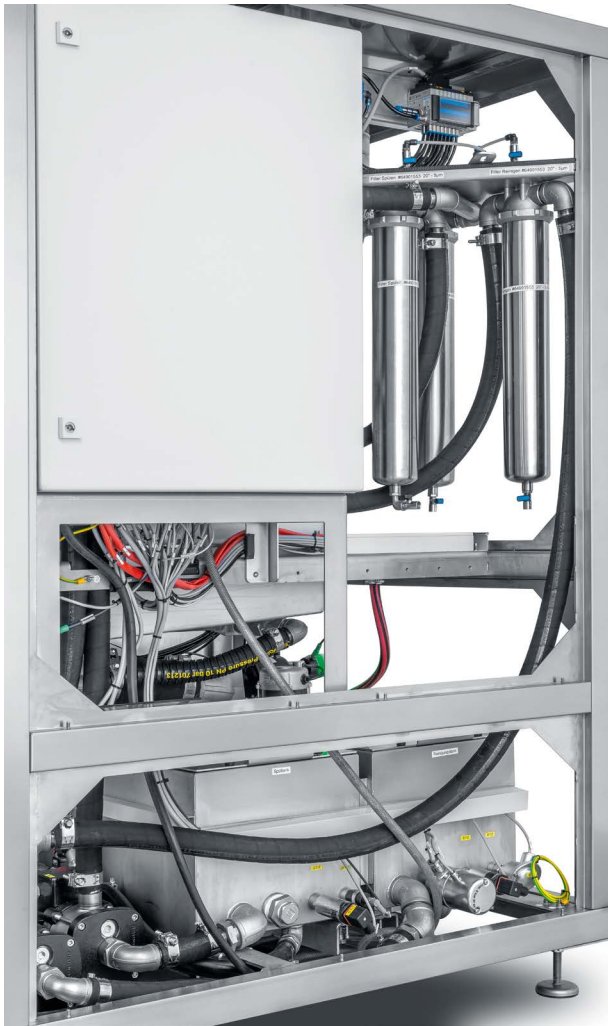
The fully automatic single-chamber cleaning system CL300 is the ideal solution for cleaning solder frames and soldering devices thanks to its large process chamber volume.

Four rotating spray arms, an individually adjustable, electropolished receiving basket and the high-volume circuit cleaning system reliably and efficiently ensure that your devices are thoroughly cleaned. In connection with the powerful convection

drying, the CL300 guarantees short process times. The large tanks and the optimized filtration concept minimize maintenance costs. Thanks to the stainless steel design, the CL300 can be operated with all commercially available maintenance cleaners.

The CL300 - a well thought-out system for optimal cleanliness with a cost-optimized process.

RELIABLE MAINTENANCE CLEANING - SYSTRONIC CL300



Technical data CL300

Single-chamber system

External Dimensions

Height 1880 mm
Width 1250 mm
Depth 1250 mm

Max. part dimensions 532 x 605 x 630 mm
A basket in a special size is available for larger parts!

Exhaust

Diameter 160 mm
Volume 500 m³ / h

Tank capacity

Cleaning tank 95 l
Rinsing tank 95 l

Weight approx. 600 kg

Cleaning media water based

Noise level < 69 dBA