



SYSTRONIC CL900

THE FIRST CLASS IN PCB CLEANING

The fully automatic single-chamber cleaning system CL900 is the best solution for the fine cleaning of assembled circuit boards.

Four rotating spraying arms, special PCB holders, high-volume circuit cleaning and individual versions of rinsing stages ensure that your assemblies are cleaned shadow free.

In connection with the efficiently designed drying, the CL900 guarantees short process times. The CL900 also impresses with

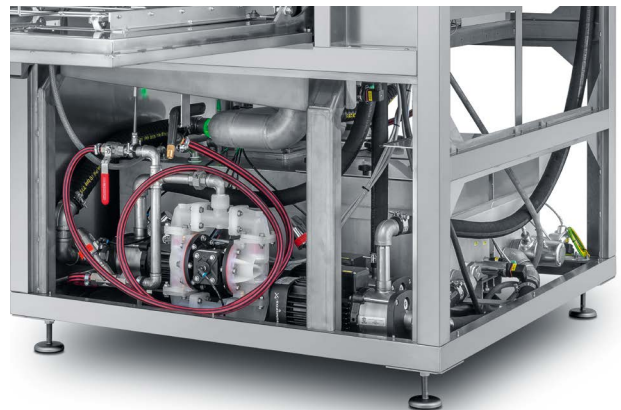
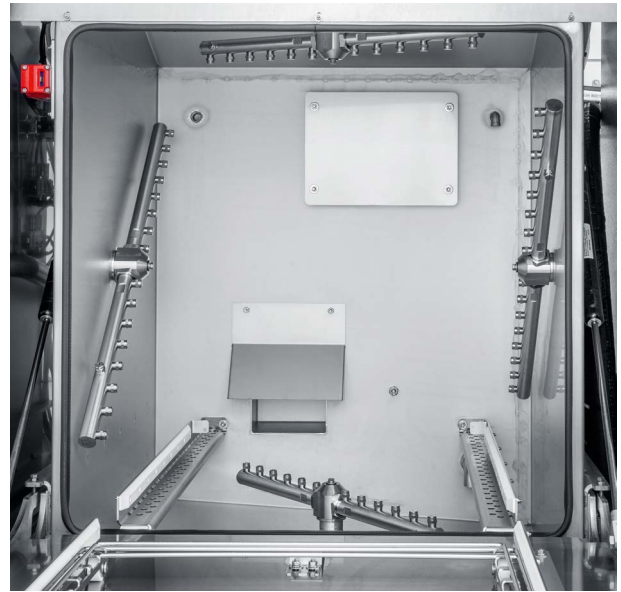
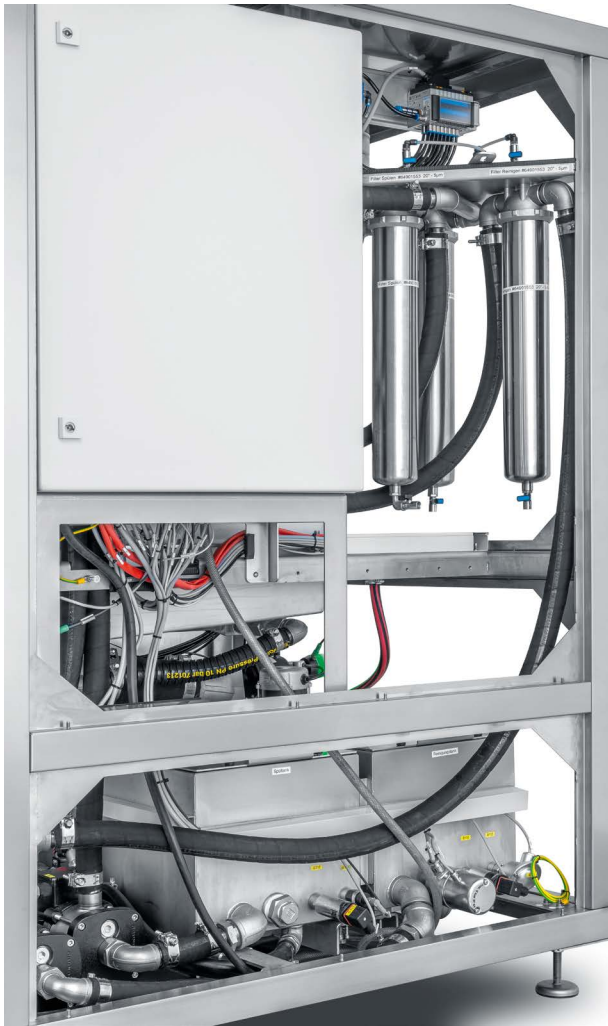
its compact stainless steel housing, which contains all attachments and functions.

The monitoring of the rinsing water residual contamination as well as the provision of all relevant process data can be parameterized and called up via the CL900 touch panel.

In the „LR“ version, it is optimized for cleaning your painting frames.

A well thought out system for optimal cleanliness.

THE IDEAL SOLUTION FOR PCB CLEANING - SYSTRONIC CL900



Technical data CL900

Single-chamber system

External Dimensions

Height 1880 mm
 Width 1250 mm
 Depth 1250 mm

Max. part dimensions 470 x 485 x 600 mm

Exhaust

Diameter 160 mm
 Volume 500 m³ / h

Tank capacity

Cleaning tank 95 l
 Rinsing tank 95 l

Weight approx. 700 kg

Fine filter 2 Filters with 20"

Cleaning media water based

Noise level < 69 dBA